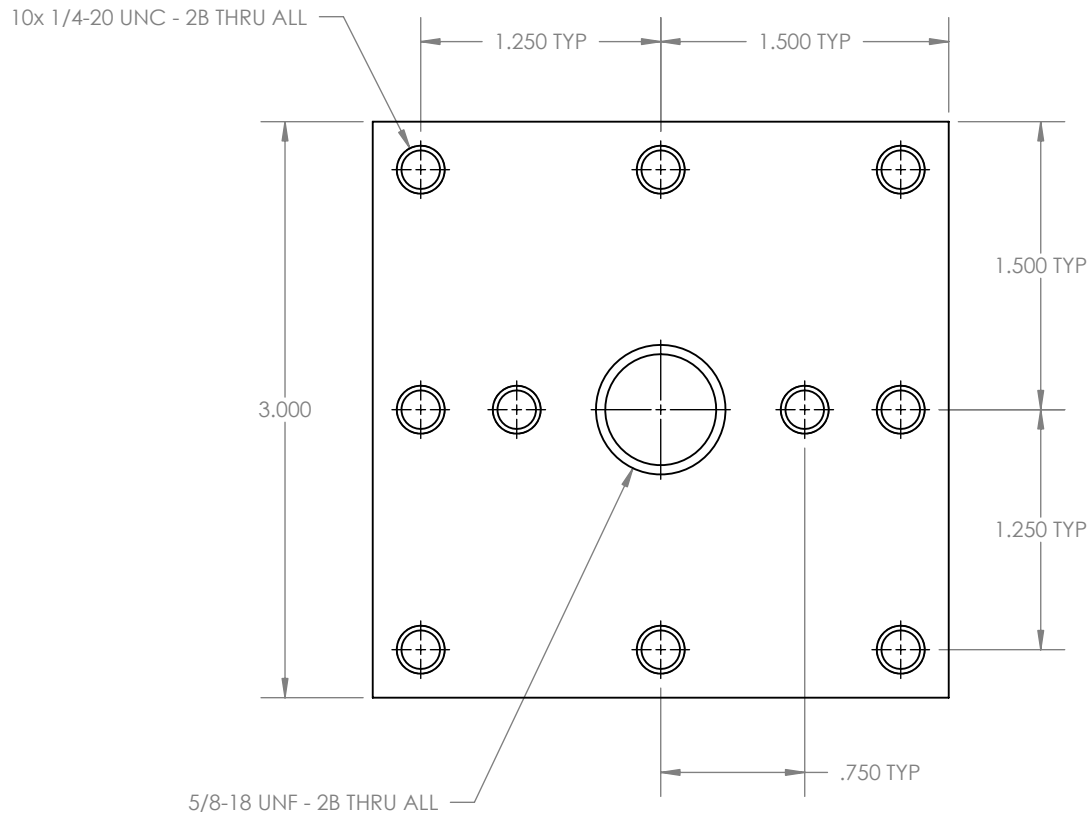



| REV | ECO NO. | ECO TITLE | DATE |
|-----|---------|-----------|----------|
| --- | ----- | ----- | --/--/-- |



| | | | | | | | | | | | |
|---|--|--|--|---------------|---|--------------------|------------|------------------------|-----------|--------------|----------------|
| PROPRIETARY INFORMATION THE INFORMATION CONTAINED IN THIS DRAWING IS THE SOLE PROPERTY OF MICRO SURFACE ENGR. INC. AND IS FURNISHED FOR INFORMATIONAL PURPOSES ONLY. © 2006 MICRO SURFACE ENGR. INC. | UNLESS OTHERWISE SPECIFIED: DIMENSIONS ARE IN INCHES TOLERANCES: ANGULAR: 1° TWO PLACE DECIMAL ±.01 THREE PLACE DECIMAL ±.005 |  | Bal-tec TM 1550 E. SLAUSON AVE LOS ANGELES, CA 90011 | | TITLE 3 x 3 KINEMATIC PLATFORM TOP PLATE, THREADED | NUMBER KP-3-3-T | REV 001 | | | | |
| | INTERPRET GEOMETRIC TOLERANCING PER: ANSI Y14.5 | | ENGINEER GENE GLEASON | DWN BY RJV | | | | DATE DRAWN 05/23/07 | SIZE A | SCALE 1:1 | PAGE 1 OF 1 |